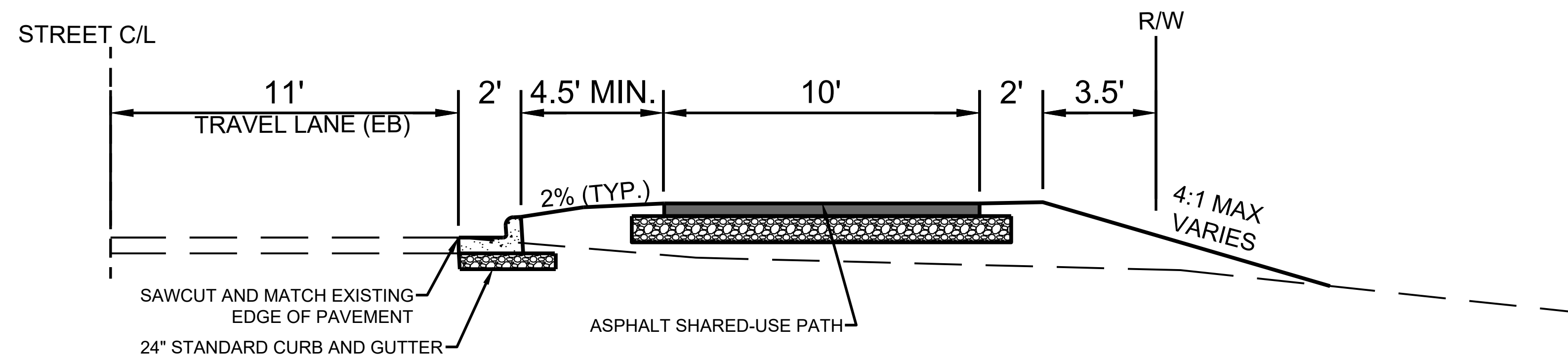
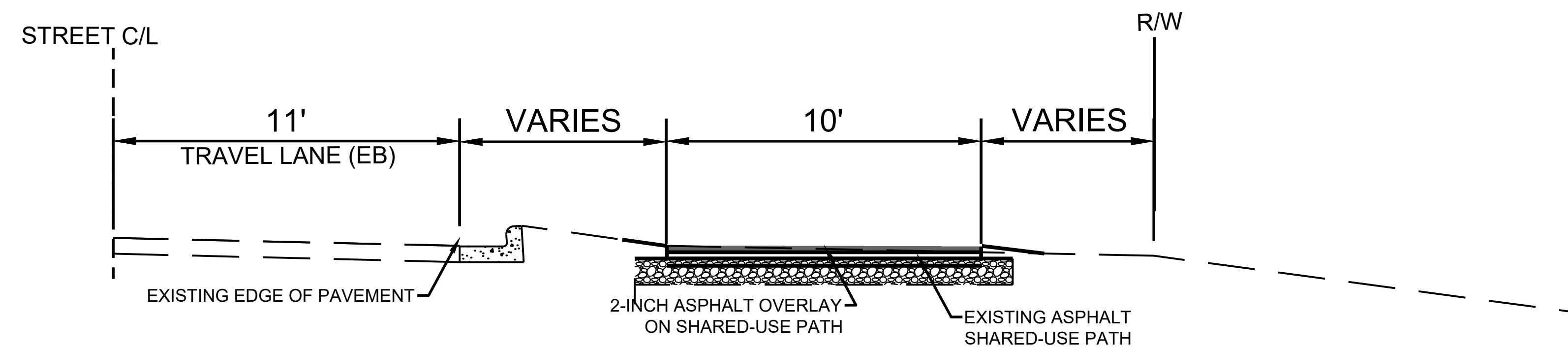


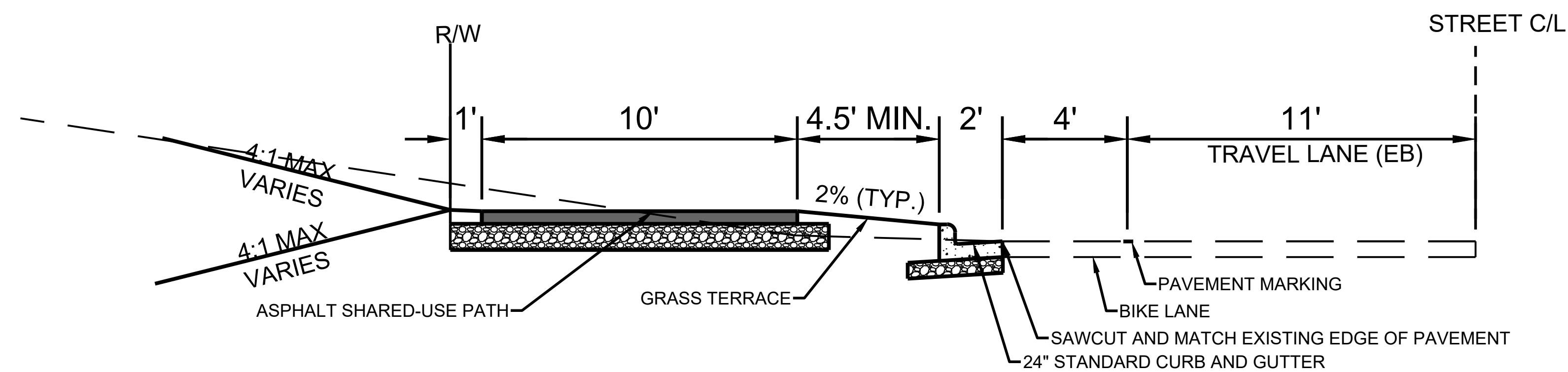
SOUTH STREET TRAIL NORTH CURB AND GUTTER SECTION



SOUTH STREET TRAIL SOUTH CURB AND GUTTER SECTION



SOUTH STREET TRAIL EAST OVERLAY SECTION



WELLS STREET TRAIL CURB AND GUTTER SECTION

DATE:					

NO.	REVISIONS

**TYPICAL SECTIONS  
SHARED-USE PATH**  
SOUTH STREET TRAIL  
CITY OF LAKE GENEVA  
WALWORTH COUNTY, WISCONSIN

JOB NO.  
4999.001  
PROJECT MGR.  
ZRS



SHEET  
4